

# snom<sup>®</sup> PA1



- **Public announcement system for office floors, reception areas and waiting rooms**
- **Announcements in airports, train and bus stations, and waiting lounges**
- **Monitoring of security-sensitive environments like entrances or reception areas**
- **SIP**
- **Multicast**
- **Remote maintenance**

The audio control system **snom PA1** augments your existing SIP PBX with another component of modern communication. The **snom PA1** unites the functions of a telephone with a high-performance digital amplifier for broadcasting announcements and supplying background music to assigned rooms, hallways, and office floors.

An announcement via **snom PA1** is effected simply by initiating a call from a snom telephone with its handset, headset, or via handsfree mode. An efficient 4 Watt amplifier provides sufficient coverage for the entire room or floor space.

If a network video camera is connected to the **snom PA1**, images of the highest quality are transmitted to monitors located in other rooms or on other floors.

Several **snom PA1** units can be connected to each other via the built-in switch. The individual network cables can be up to 100 meters long; otherwise common quality impairments caused by long stretches of cabling do not occur. The **snom PA1** can be optionally installed on walls or ceilings.

The **snom PA1** can be power-fed either via conventional power supply unit connection or through Power-over-Ethernet (PoE). The specific address-

ing of individual **snom PA1** control systems can be centrally configured via the device's web interface.

Aside of the leading SIP protocol, the **snom PA1** can also be addressed via Multicast, thus enabling one transmitter to simultaneously address many receivers. As with all other snom terminals, updates and configuration changes for the **snom PA1** can be centrally effected over the server.

For maintenance purposes, the **snom PA1** has two 3.5 mm jacks for headset connection. Four freely programmable output pins can be utilized for controlling the **snom PA1** via its web interface.

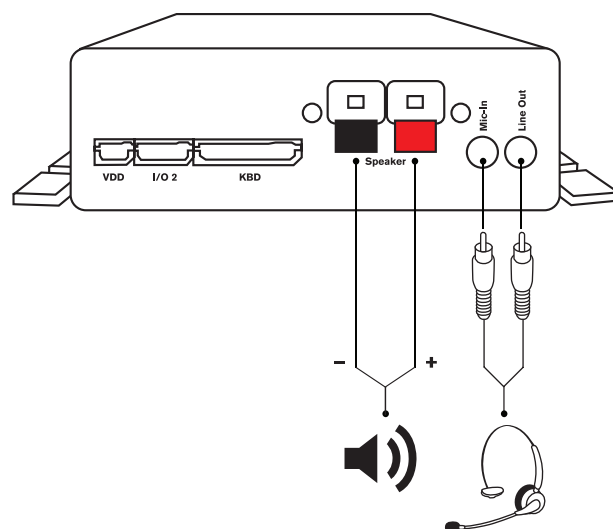
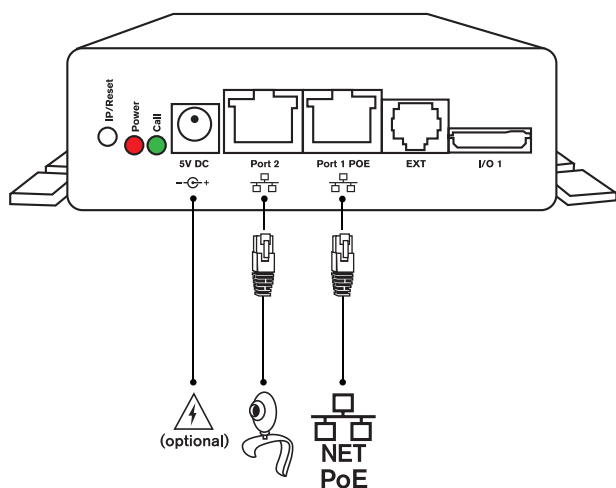
# Technical Data snom PA1

## GENERAL INFORMATION

- Voltage feed via network (PoE): IEEE 802.3af, class 3
- Ethernet: 2 x IEEE 802.3, 10/100 Mbps switch
- SIP communication + Multicast
- Central configuration and maintenance
- Web interface menu
- Remote volume configuration
- 4 Watt power amplifier, class D (loudspeaker not included)
- Key for announcement of IP address and for resetting
- 2 LED status indicators
- For maintenance purposes: two 3.5 mm jacks for headphone connection
- 4 freely programmable output pins, configuration via web interface
- Robust housing for wall-mount

## DELIVERY CONTENTS:

- Base unit
- Brackets, screws and expansion anchors for wall mounting
- Drill template



### snom technology AG

Charlottenstraße 68–71  
10117 Berlin, Germany  
tel: +49 30 39833-0  
fax: +49 30 39833-111  
sip: info@snom.com  
mail: info@snom.com